



# JDC (M12) Junction Blocks

4 Port, 5 Pin JDC Junction blocks



MIN Receptacle | MIN Plug | M23 Receptacle | IP67 Protection Rating

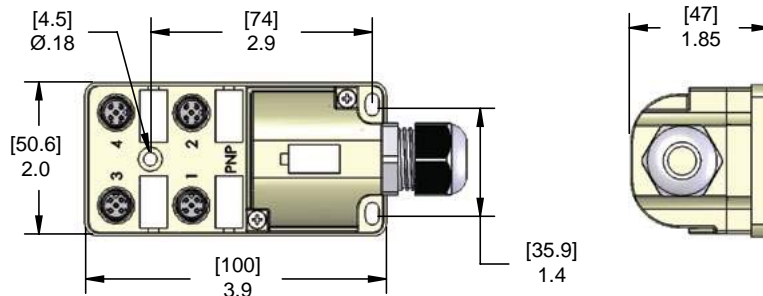


Trunk Style	UL Rating	Trunk Connection	Part Number		
			No LED	PNP	NPN
	N/A	MIN Size III 12 Pole Male Receptacle	JDC-450-012-M000	JDC-45P-212-M000	JDC-45N-212-M000
	N/A	MIN Size III 19 Pole Male Receptacle	JDC-450-019-M000	JDC-45P-219-M000	JDC-45N-219-M000
	N/A	M23 19 Pole Male Receptacle	JDC-450-019-V000	JDC-45P-219-V000	JDC-45N-219-V000
	N/A	MIN Size III 12 Pole Male Plug with Male Thread	JDC-450-012-M003	JDC-45P-212-M003	JDC-45N-212-M003
	N/A	MIN Size III 19 Pole Male Plug with Male Thread	JDC-450-019-M003	JDC-45P-219-M003	JDC-45N-219-M003
	N/A	MIN Size III 12 Pole Male Plug	JDC-450-012-M**	JDC-45P-212-M**	JDC-45N-212-M**
	N/A	MIN Size III 19 Pole Male Plug	JDC-450-019-M**	JDC-45P-219-M**	JDC-45N-219-M**

\*\* Lengths in meters. Standard Cable lengths are 2m, 5m and 10m. Consult factory for other lengths.

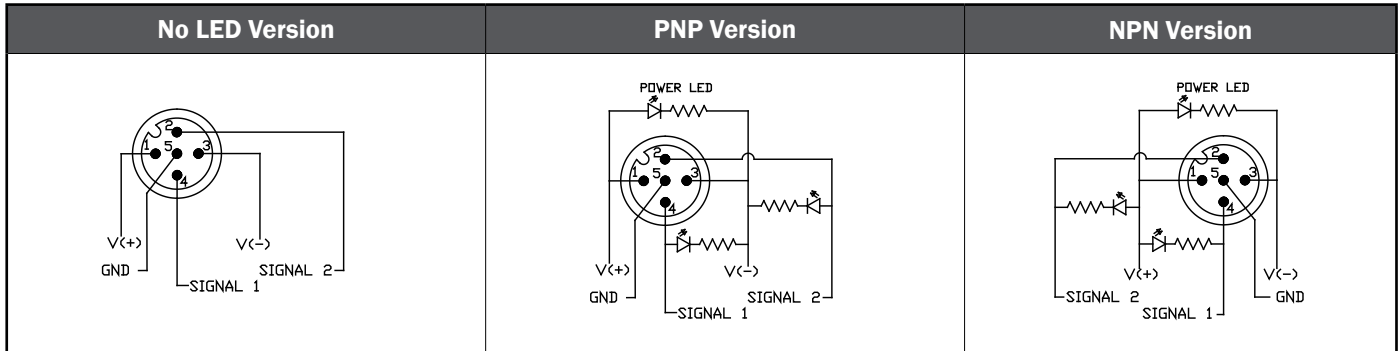
JDC Junction Blocks

Q



### Specifications:

Ratings:	3 A per Connector 8 A per Block	Inserts:	Polyamide
Voltage:	Without LEDs: 0-150 Volt Max With LEDs: 48 VDC Max in accordance with LED Configuration	Port Coupling Nuts:	PBT
Body:	Polypropylene	O-Ring:	BUNA-N
		LED Lens:	Polycarbonate
		Contacts:	Copper Alloy with Gold Plating
		Marker Tags:	Polyamide (supplied on all units)



Function	MIN-12 Receptacles & Plug Version	MIN-19 Receptacles & Plug Version	12 PIN M23 Receptacles & Plug Version
Male Faceview	 1.125"-16UN2	 1.125"-16UN2	 M23 x 1
+ V	PIN #10	PIN #7	PIN #19
- V	PIN #11	PIN #5	PIN #6
Ground	PIN #9	PIN #12	PIN #12
PORT 1 PIN 2	PIN #5	PIN #19	PIN #7
PORT 1 PIN 4	PIN #1	PIN #15	PIN #15
PORT 2 PIN 2	PIN #6	PIN #4	PIN #4
PORT 2 PIN 4	PIN #2	PIN #6	PIN #5
PORT 3 PIN 2	PIN #7	PIN #8	PIN #8
PORT 3 PIN 4	PIN #3	PIN #16	PIN #16
PORT 4 PIN 2	PIN #8	PIN #14	PIN #14
PORT 4 PIN 4	PIN #4	PIN #3	PIN #3